



**Bulletin HY14-2705-M1/US
Service and Parts Bulletin**

**Models
V20 and V40**

Effective: August 1, 2002
Supersedes: Cat. No. GSD-TR-100 dated 1/98



**Transition Mid-Inlet
Section**

Table of Contents

	<u>Page</u>
Section Seal Identification	3
V20/V40 Transition Mid-Inlet Serviceable Components	4
CK-7505 No Relief Cavity Plug	5
RP30 Pilot-Operated Main Relief Cartridges	6
CK-28096 Pressure Reducing Valve Cartridge	7
K-6297 No Pressure Reducing Valve Cavity Plug	8
K-6298 Unloading Valve Cartridge	9
K-6235 Unloading Valve Cavity Plug	10
K-6296 Load Sense Bleed-Off Plug	11
Product Warranty, April, 1996	12

List of Figures

	<u>Page</u>
Figure 1: V20/V40 Section Seal Identification	3
Figure 2: V20/V40 Transition Mid-Inlet Serviceable Components	4
Figure 3: CK-7505 No Relief Cavity Plug	5
Figure 4: RP30 Pilot-Operated Main Relief Cartridges	6
Figure 5: CK-28096 Pressure Reducing Valve Cartridge	7
Figure 6: K-6297 No Pressure Reducing Valve Cavity Plug	8
Figure 7: K-6298 Unloading Valve Cartridge	9
Figure 8: K-6235 No Unloading Valve Cavity Plug	10
Figure 9: K-6296 Load Sense Bleed-Off Plug	11

WARNING

FAILURE OR IMPROPER SELECTION OR IMPROPER USE OF THE PRODUCTS AND/OR SYSTEMS DESCRIBED HEREIN OR RELATED ITEMS CAN CAUSE DEATH, PERSONAL INJURY AND PROPERTY DAMAGE.

This document and other information from Parker Hannifin Corporation, its subsidiaries and authorized distributors provide product and/or system options for further investigation by users having technical expertise. It is important that you analyze all aspects of your application and review the information concerning the product or system in the current product catalog. Due to the variety of operating conditions and applications for these products or systems, the user, through its own analysis and testing, is solely responsible for making the final selection of the products and systems and assuring that all performance, safety and warning requirements of the application are met.

The products described herein, including without limitation, product features, specifications, designs, availability and pricing, are subject to change by Parker Hannifin Corporation and its subsidiaries at any time without notice.

Offer of Sale

The items described in this document are hereby offered for sale by Parker Hannifin Corporation, its subsidiaries or its authorized distributors. This offer and its acceptance are governed by the provisions stated in the "Offer of Sale".



Section Seal Identification

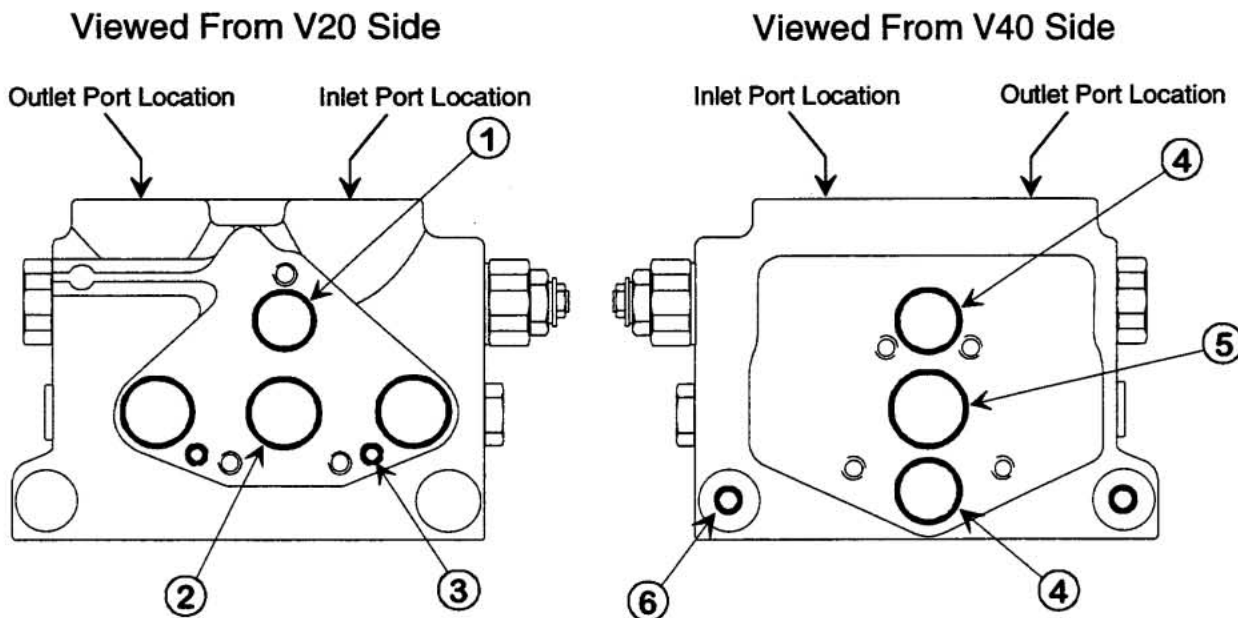


Figure 1: V20/V40 Section Seal Identification

Section Seal Kits

Ref No.	Part No.	Description	Quantity
	08340001	K-6121 V20 Section Seal Kit (Kit Includes Ref. No's. 1 thru 3 Only) ① ②	
	13139001	K-40020 V40 Section Seal Kit (Kit Includes Ref. No's. 4 thru 6 Only) ① ②	
1	21857001	O-Ring Section Seal (V20 Power Core Counterbore) ①	1
2	21733001	O-Ring Section Seal (V20 Open Center and Exhaust Core Counterbores) ①	3
3	21866001	O-Ring Section Seal (V20 Solenoid Pilot Counterbores) ①	2
4	21733001	O-Ring Section Seal (V40 Power and Exhaust Core Counterbores) ①	2
5	21735001	O-Ring Section Seal (V40 Open Center Core Counterbore) ①	1
6	09000112	O-Ring Section Seal (V40 Solenoid Pilot Counterbores) ①	2

① Nitrile seals are standard for all **Gresen** valve assemblies. Contact the factory for optional seals.

② Both **K-6121** and **K-40020** Section Seal Kits include additional seals used for other applications.

WARNING

Do not pre-lube the O-Ring section seals prior to installation. Compression of lubricants can distort the valve body causing spool bind.

CAUTION

If the stud nuts are not torqued to the proper specifications, valve spools may bind or stick, or cause O-Ring seals to extrude.

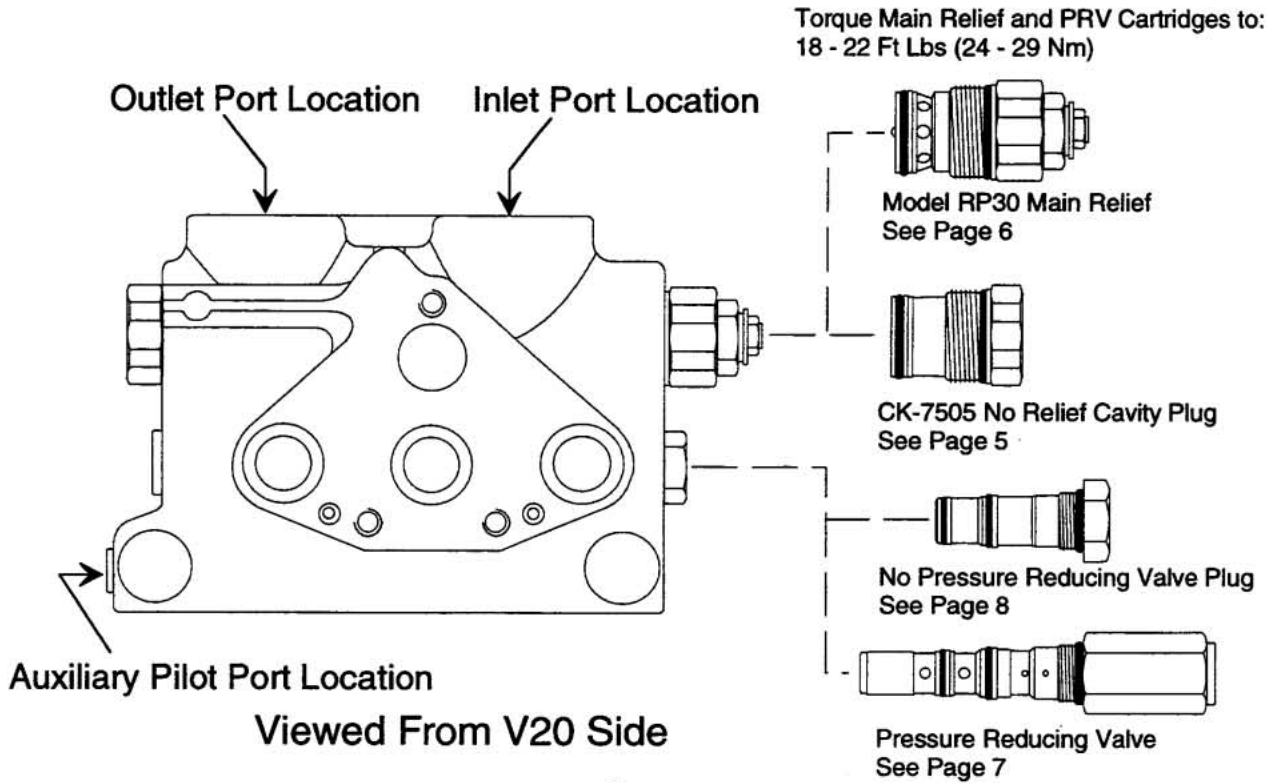
Model V20 Stud Torque Specs:

25 - 28 Ft Lbs [34 - 38 Nm] for dry studs
18 - 20 Ft Lbs [25 - 27 Nm] for oily studs

Model V40 Stud Torque Spec:

23 - 27 Ft Lbs [31 - 36 Nm] for dry studs
16 - 19 Ft Lbs [22 - 26 Nm] for oily studs

V20/V40 Transition Mid-Inlet Serviceable Components



Torque Unloading Valve and SAE Plug to:
18 - 22 Ft Lbs (24 - 29 Nm)

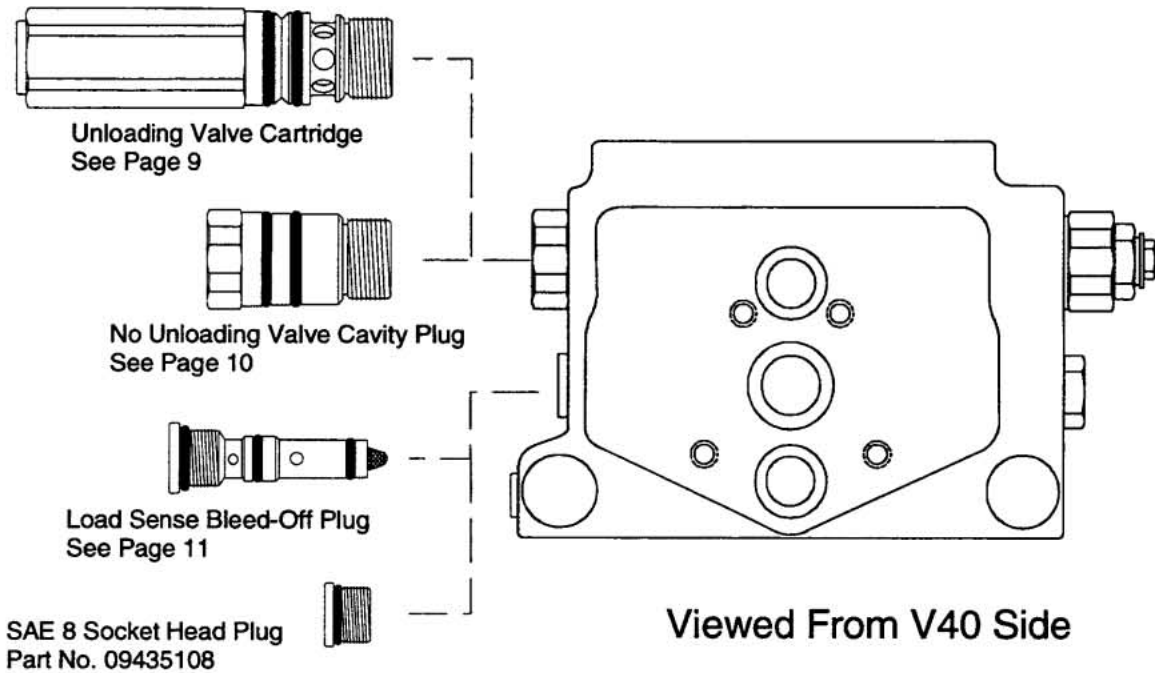


Figure 2: V20/V40 Transition Mid-Inlet Serviceable Components

CK-7505 No Relief Cavity Plug

Torque No Relief Cavity Plug To:
20 Ft Lbs [27 Nm]

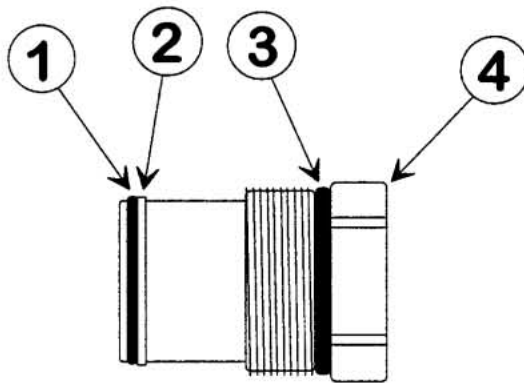
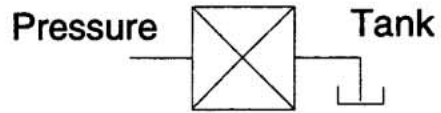


Figure 3. CK-7505 No Relief Cavity Plug

Ref No.	Part No.	Description	Quantity
	12060003	K-7506 Plug Seal Kit (Includes Ref. No's. 1 thru 3 Only)	
	12967001	CK-7505 No Relief Cavity Plug Kit	
1	06815002	O-Ring Seal (Serviced in K-7506 Plug Seal Kit) ①	1
2	06619001	Back-Up Ring (Serviced in K-7506 Plug Seal Kit)	1
3	01615001	O-Ring Seal (Serviced in K-7506 Plug Seal Kit) ①	1
4	11802001	NR Plug	1

① Nitrile seals are standard for all **Gresen** valve assemblies. Contact the factory for optional seals.

RP30 Pilot-Operated Main Relief Cartridges

Torque RP30 Relief Valve Cartridge
to: 20 Ft Lbs [27 Nm]

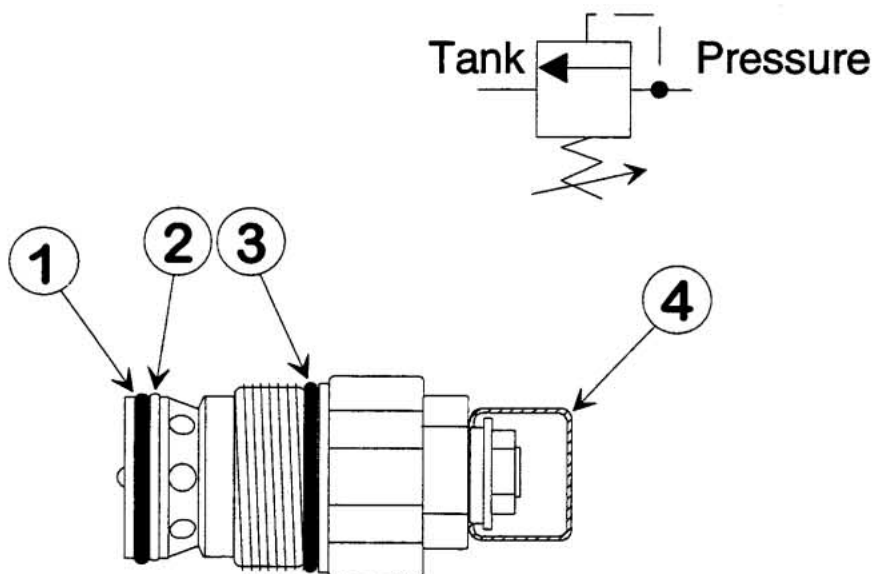


Figure 4. RP30 Pilot-Operated Main Relief Cartridges

NOTE

Due to close tolerances on working parts, the RP30 Pilot-Operated Relief Valve is not field serviceable. If service other than external seal replacement is required, replace the complete cartridge.

Ref No.	Part No.	Description	Quantity
	12060003	K-7506 Plug Seal Kit (Includes Ref. No's. 1 thru 3 Only) ①	
	21306001	RP30-A Relief Cartridge (Adjustable) ②	
	21306002	RP30-N Relief Cartridge (Tamper Resistant) ②	
1	06815002	O-Ring Seal (Serviced in K-7506 Plug Seal Kit) ①	1
2	06619001	Back Up Ring (Serviced in K-7506 Plug Seal Kit)	1
3	01615001	O-Ring Seal (Serviced in K-7506 Plug Seal Kit) ①	1
4	10034001	Tamper Resistant Cap (Installed at the factory on RP30-N Versions Only)	1

① Nitrile seals are standard for all **Gresen** valve assemblies. Contact the factory for optional seals.

② Specify relief valve pressure setting when ordering. Do **NOT** attempt to adjust these relief valves unless you have the capability to test the reliefs for proper pressure setting. Without the capability to test you may exceed the maximum pressure rating of the product or draw the relief spring solid, which in turn means there is no relief (NR).

CK-28096 Pressure Reducing Valve Cartridge

Torque Pressure Reducing Valve Cartridge
To: 20 Ft Lbs [27 Nm]

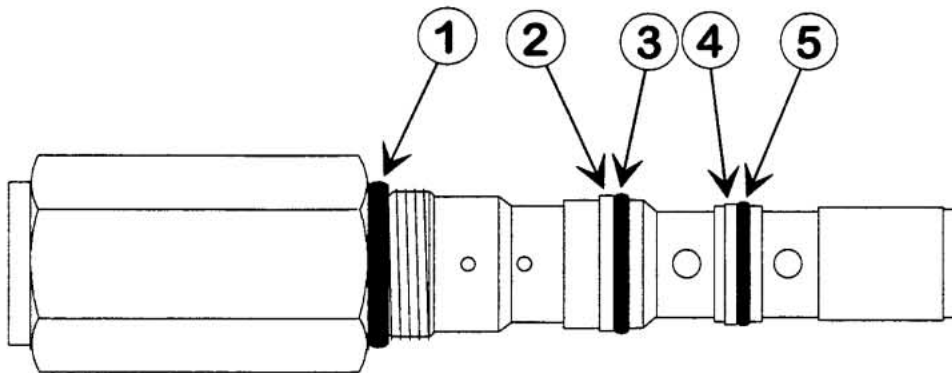
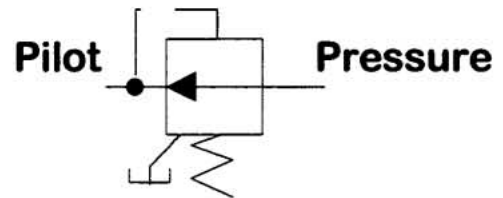


Figure 5. CK-28096 Pressure Reducing Valve Cartridge

Ref No.	Part No.	Description	Quantity
	08569001	K-28078 Cartridge Seal Kit (Includes Ref. No's. 1 thru 5, plus end plug seal)	
	12956001	CK-28096 Pressure Reducing Valve Cartridge Kit	
1	02707001	O-Ring Seal (Serviced in K-28078 Cartridge Seal Kit) ①	1
2	03092001	Back-Up Ring (Serviced in K-28078 Cartridge Seal Kit)	1
3	07829001	O-Ring Seal (Serviced in K-28078 Cartridge Seal Kit) ①	1
4	00682001	Back-Up Ring (Serviced in K-28078 Cartridge Seal Kit)	1
5	01091001	O-Ring Seal (Serviced in K-28078 Cartridge Seal Kit) ①	1

① Nitrile seals are standard for all **Gresen** valve assemblies. Contact the factory for optional seals.

K-6297 No Pressure Reducing Valve Cavity Plug

Torque No Pressure Reducing Valve Plug
To: 20 Ft Lbs [27 Nm]

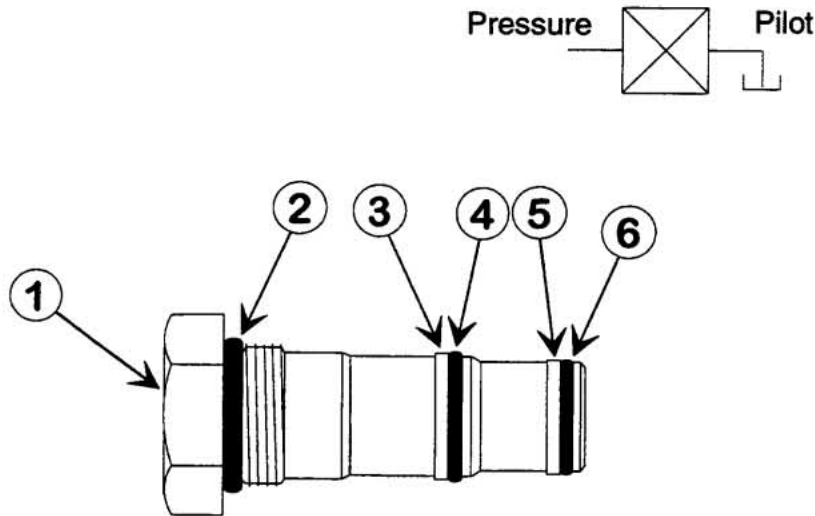


Figure 6. K-6297 No Pressure Reducing Valve Cavity Plug

Ref No.	Part No.	Description	Quantity
	08569001	K-28078 Cartridge Seal Kit (Includes Ref. No's. 2 thru 6) ②	
	16123001	K-6297 No Pressure Reducing Valve Cavity Plug Kit	
1	21204001	PRV Cavity Plug	1
2	02707001	O-Ring Seal (Serviced in K-28078 Cartridge Seal Kit) ①	1
3	03092001	Back-Up Ring (Serviced in K-28078 Cartridge Seal Kit)	1
4	07829001	O-Ring Seal (Serviced in K-28078 Cartridge Seal Kit) ①	1
5	00682001	Back-Up Ring (Serviced in K-28078 Cartridge Seal Kit)	1
6	01091001	O-Ring Seal (Serviced in K-28078 Cartridge Seal Kit) ①	1

① Nitrile seals are standard for all **Gresen** valve assemblies. Contact the factory for optional seals.

② **K-28078** PRV seal kit includes additional seals not used with the No PRV Plug.

K-6298 Unloading Valve Cartridge

Torque Unloading Valve Cartridge
To: 20 Ft Lbs [27 Nm]

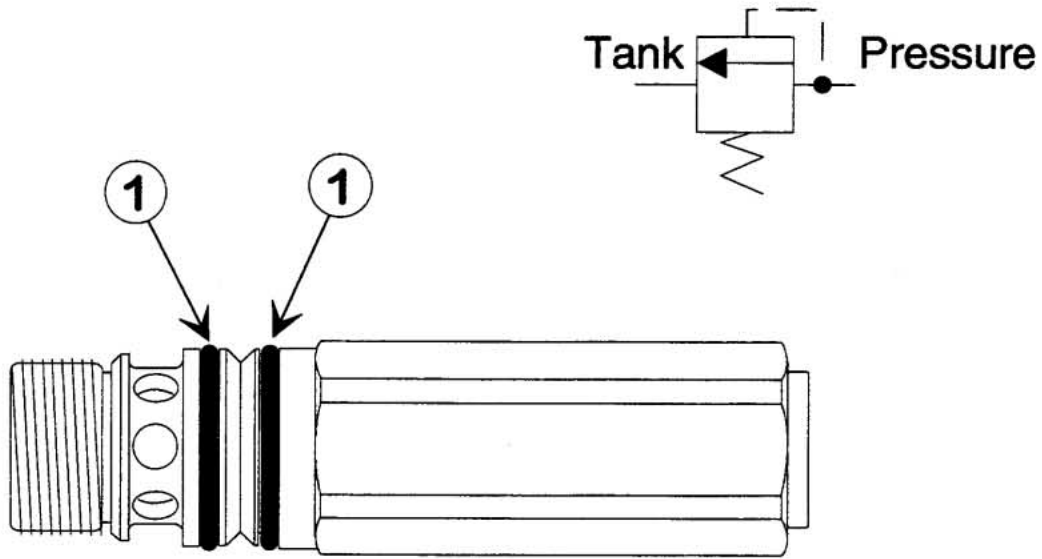


Figure 7. K-6298 Unloading Valve Cartridge

Ref No.	Part No.	Description	Quantity
1	16126001	K-6299 Unloading Valve Seal Kit (Includes Ref. No. 1 Only)	
	16124001	K-6298 Unloading Valve Cartridge Kit	
	24515001	O-Ring Seal (Serviced in K-6299 Unloading Valve Seal Kit) ①	2

① Nitrile seals are standard for all **Gresen** valve assemblies. Contact the factory for optional seals.

K-6235 Unloading Valve Cavity Plug

Torque Unloading Valve Cavity Plug
To: 20 Ft Lbs [27 Nm]

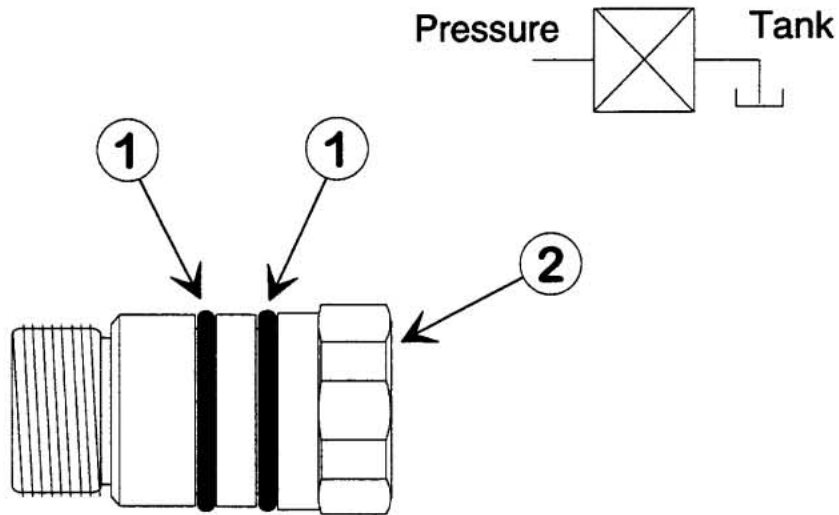


Figure 8. K-6235 No Unloading Valve Cavity Plug

Ref No.	Part No.	Description	Quantity
	16126001	K-6299 Unloading Valve Seal Kit (Includes Ref. No. 1 Only)	
	16125001	K-6235 No Unloading Valve Cavity Plug Kit	
1	24515001	O-Ring Seal (Serviced in K-6299 Unloading Valve Seal Kit) ①	2
2	24516001	Unloading Valve Cavity Plug	1

① Nitrile seals are standard for all **Gresen** valve assemblies. Contact the factory for optional seals.

K-6296 Load Sense Bleed-Off Plug

Torque Load Sense Bleed-Off Plug
To: 20 Ft Lbs [27 Nm]

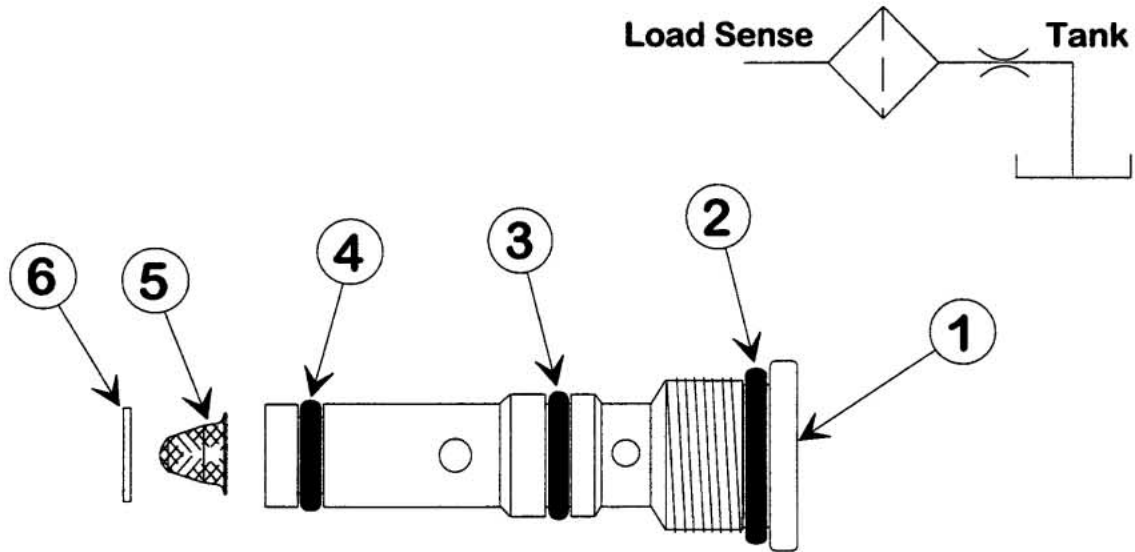


Figure 9. K-6296 Load Sense Bleed-Off Plug

Ref No.	Part No.	Description	Quantity
	16082001	K-6268 Plug Seal Kit (Includes Ref. No's. 2 thru 4)	
	16122001	K-6296 Load Sense Bleed Plug Kit	
1	23336001	Bleed Plug	1
2	02705001	O-Ring Seal (Serviced in K-6268 Plug Seal Kit) ①	1
3	23445001	O-Ring Seal (Serviced in K-6268 Plug Seal Kit) ①	1
4	23444001	O-Ring Seal (Serviced in K-6268 Plug Seal Kit) ①	1
5	11839001	Filter Screen	1
6	11840001	Retaining Ring	1

① Nitrile seals are standard for all **Gresen** valve assemblies. Contact the factory for optional seals.



Parker Hannifin Corporation
Hydraulic Valve Division
520 Ternes Avenue
Elyria, Ohio, USA 44035
Tel: (440) 366-5200
Fax: (440) 366-5253
www.parker.com/hydraulicvalve

Bulletin HY14-2705-M1/US,
3C, 8/02, PHD